

A decorative graphic on the left side of the page, featuring a large dashed circle, a solid blue circle, and several overlapping curved lines in blue and grey.

Product Manual

# Momentum<sup>®</sup> 5400.2 Blade Server

**ST9100823AB**

**ST9808211AB**

**ST960822AB**

**ST9408114AB**

100367611  
Rev. B  
August 2007

©2004-2007, Seagate Technology LLC All rights reserved.

Publication number: 100367611, Rev. B

August 2007

Seagate, Seagate Technology and the Wave logo are registered trademarks of Seagate Technology LLC in the United States and/or other countries. Momentus, Seagate-SeaBOARD, SeaFONE, SeaTDD, and SeaTools are either trademarks or registered trademarks of Seagate Technology LLC or one of its affiliated companies in the United States and/or other countries. All other trademarks or registered trademarks are the property of their respective owners.

One gigabyte, or GB, equals one billion bytes and one terabyte, or TB, equals one trillion bytes when referring to hard drive capacity. Accessible capacity may vary depending on operating environment and formatting. Quantitative usage examples for various applications are for illustrative purposes. Actual quantities will vary based on various factors, including file size, file format, features and application software. Seagate reserves the right to change, without notice, product offerings or specifications.

# Contents

<b>1.0</b>	<b>Introduction</b>	<b>1</b>
<b>2.0</b>	<b>Drive specifications</b>	<b>3</b>
2.1	Specification summary	3
2.2	Formatted capacity	5
2.3	Default logical geometry	5
2.4	Physical organization	5
2.5	Recording and interface technology	6
2.6	Physical characteristics	6
2.7	Seek time	7
2.8	Time to ready	7
2.9	Power specifications	8
2.9.1	Power consumption	8
2.9.2	Conducted noise	9
2.9.3	Voltage tolerance	9
2.10	Environmental specifications	10
2.10.1	Ambient temperature	10
2.10.2	Temperature gradient	10
2.10.3	Humidity	10
2.10.4	Altitude	10
2.10.5	Shock	11
2.10.6	Vibration	11
2.11	Acoustics	12
2.12	Electromagnetic immunity	12
2.13	Reliability	13
2.14	Agency certification	13
2.14.1	Safety certification	13
2.14.2	Electromagnetic compatibility	13
2.14.3	FCC verification	14
2.15	Environmental protection	15
2.16	Corrosive environment	15
<b>3.0</b>	<b>Configuring and mounting the drive</b>	<b>17</b>
3.1	Handling and static discharge precautions	17
3.2	Jumper settings	17
3.2.1	Master/slave configuration	17
3.2.2	Cable-select option	18
3.3	Drive mounting	18
<b>4.0</b>	<b>ATA interface</b>	<b>19</b>
4.1	ATA interface signals and connector pins	19
4.1.1	Supported ATA commands	20
4.1.2	Identify Device command	23
4.1.3	Set Features command	26
<b>5.0</b>	<b>Seagate Technology support services</b>	<b>27</b>



## List of Figures

Figure 1.	Momentum 5400.2 Blade Server PATA disc drive. . . . .	1
Figure 2.	Typical 5V startup and operation current profile . . . . .	9
Figure 3.	Jumper settings . . . . .	17
Figure 4.	Mounting dimensions—top, side and end view . . . . .	18



## 1.0 Introduction

---

This manual describes the functional, mechanical and interface specifications for the following Seagate® Momentus®5400.2 Blade Server drives:

- ST9100823AB
- ST960822AB
- ST9808211AB
- ST9408114AB

These drives provide the following key features:

- 5,400-RPM spindle speed and 8-Mbyte buffer combine for superior performance.
- Quiet operation. Fluid Dynamic Bearing (FDB) motor.
- High instantaneous (burst) data transfer rates (up to 100 Mbytes per second) using Ultra DMA mode 5.
- Tunneling Magnetoresistive (TMR) recording heads.
- State-of-the-art cache and on-the-fly error-correction algorithms.
- Full-track multiple-sector transfer capability without local processor intervention.
- 800 Gs nonoperating shock and 250 Gs operating shock.
- SeaTools™ diagnostic software performs a drive self-test that eliminates unnecessary drive returns.
- The 3D Defense System™, which includes Drive Defense, Data Defense, and Diagnostic Defense, offers the industry's most comprehensive protection for disc drives.
- Support for S.M.A.R.T. drive monitoring and reporting.
- Support for Read Multiple and Write Multiple commands.
- Support for autodetection of master/slave drives that use cable select (CSEL).



Figure 1. Momentus 5400.2 Blade Server PATA disc drive





## 2.0 Drive specifications

---

Unless otherwise noted, all specifications are measured under ambient conditions, at 25°C, and nominal power. For convenience, the phrases *the drive* and *this drive* are used throughout this manual to indicate ST9100823AB, ST9808211AB, ST960822AB, and ST9408114AB model drives.

### 2.1 Specification summary

The specifications listed in this table are for quick reference. For details on specification measurement or definition, see the appropriate section of this manual.

**Table 1: Specifications**

Drive specification	ST9100823AB	ST9808211AB	ST960822AB	ST9408114AB
Formatted Gbytes (512 bytes/sector)	100	80	60	40
Guaranteed sectors	195,371,568	156,301,488	117,210,240	78,140,160
Bytes per sector	512			
Physical read/write heads	4	3	3	2
Discs	2	2	2	1
Cache (Mbytes)	8			
Recording density, BPI (bits/inch typical)	703,000			
Track density, TPI (tracks/inch typical)	115,000			
Areal density (Gbits/inch <sup>2</sup> max)	86			
Spindle speed (RPM)	5,400			
Internal data transfer rate OD (Mbytes/sec max)	48.25			
I/O data-transfer rate (Mbytes/sec max)	100			
ATA data-transfer modes supported	PIO modes 0–4; Multiword DMA modes 0–2; Ultra DMA modes 0–5			
Height	9.5 +/-0.2 mm (0.374 +/-0.008 inches)			
Width	69.85 +/-0.25 mm (2.750 +/-0.010 inches)			
Length	100.2 +/-0.25 mm (3.945 +/-0.010 inches)			
Weight (typical)	100 grams (0.22 lb)			
Average latency (msec)	5.6			
Power-on to ready (sec typical)	3.5			
Standby to ready (sec typical)	3.0			
Startup current 5V (typical)	1.0 amps			
Track-to-track seek time (msec typical)	1.0 (read), 1.5 (write)			
Average seek time (msec typical)	12.5			
Average seek, read (msec typical)	12.5			
Average seek, write (msec typical)	14.5			
Full-stroke seek (msec)	22 (typical); 24 (max)			
Seek power (typical)	2.3 watts			

**Table 1: Specifications**

Drive specification	ST9100823AB	ST9808211AB	ST960822AB	ST9408114AB
Read/write power (typical)	2.05/2.1 watts			
Idle mode (typical)	0.99 watts			
Standby mode	0.2 watts (typical)**			
Sleep mode	0.2 watts (typical)**			
Voltage tolerance (including noise)	5V ± 5%			
Ambient temperature	5° to 55°C (operating) –40° to 70°C (nonoperating)			
Temperature gradient (°C per hour max, noncondensing)	20°C (operating) 30°C (nonoperating)			
Relative humidity (noncondensing)	5% to 90% (operating) 5% to 95% (nonoperating)			
Relative humidity gradient	30% per hour max			
Wet bulb temperature (°C max)	30°C (operating) 40°C (nonoperating)			
Altitude, operating	–304.8 m to 3,048 m (–1000 ft to 10,000 ft)			
Altitude, nonoperating (below mean sea level, max)	–304.8 m to 12,192 m (–1,000 ft to 40,000 ft)			
Shock, operating (Gs max at 2 msec)	250			
Shock, nonoperating (Gs max at 2 msec)	800			
Shock, nonoperating (Gs max at 1 msec)	900			
Shock, nonoperating (Gs max at 0.5 msec)	400			
Vibration, operating (max displacement may apply below 10 hz)	1.0 Gs (0 to peak, 5–500 Hz)			
Vibration, nonoperating (max displacement may apply below 22 hz)	5.0 Gs (0 to peak, 10–500 Hz)			
Drive acoustics, sound power (bels)				
Idle*	2.4 (typical) 2.6 (max)			
Quiet seek	2.6 (typical) 2.8 (max)			
Performance seek	2.9 (typical) 3.1 (max)			
Nonrecoverable read errors	1 per 10 <sup>14</sup> bits read			
Mean Time Before Failure (MTBF)	500,000 hours at 25°C ambient temperature 8,760 Power On Hours/year at nominal power. Max case temperature: 40°C at the case measurement location shown in Figure 4.			
Load/Unload (U/UL) cycles				
25°C, 50% relative humidity	600,000 software-controlled power on/off cycles 20,000 hard power on/off cycles			
32°C, 80% relative humidity				
5°C, 80% relative humidity	600,000 software-controlled power on/off cycles 20,000 hard power on/off cycles			
5°C, 10% relative humidity				
55°C, 16% relative humidity				
Service life	5 Years			
Warranty	5 Years			

\*During periods of drive idle, some offline activity may occur, according to the S.M.A.R.T. specification, which may increase acoustic and power to operational levels.

\*\*Typical notebooks will pull power to the drive when entering S3 and S4; while in the S3 and S4 states, drive sleep and drive standby modes will not contribute to battery power consumption.

## 2.2 Formatted capacity

Model	Formatted capacity	Guaranteed sectors	Bytes per sector
ST9100823AB	100 Gbytes	195,371,568	512
ST9808211AB	80 Gbytes	156,301,488	512
ST9608222AB	60 Gbytes	117,210,240	512
ST9408114AB	40 Gbytes	78,140,160	512

## 2.3 Default logical geometry

Cylinders	Read/write heads	Sectors per track
16,383	16	63

### LBA mode

When addressing these drives in LBA mode, all blocks (sectors) are consecutively numbered from 0 to  $n-1$ , where  $n$  is the number of guaranteed sectors as defined above.

## 2.4 Physical organization

Model	Read/write heads	Number of discs
ST9100823AB	4	2
ST9808211AB	3	2
ST9608222AB	3	2
ST9408114AB	2	1

## 2.5 Recording and interface technology

Technology	Specification
Interface	Parallel ATA
Recording method	RLL 0,11
Recording density BPI (bits/inch typical)	703,000
Track density TPI (tracks/inch typical)	115,000
Areal density (Gbits/inch <sup>2</sup> max)	86
Spindle speed (RPM) ( $\pm 0.2\%$ )	5,400
Internal data-transfer rate OD (Mbytes/sec max)	48.25
I/O data-transfer rate (Mbytes/sec max)	100 (Ultra DMA mode 5)
Interleave	1:1
Cache buffer	8 Mbytes (8,192 kbytes)

## 2.6 Physical characteristics

Height	(mm) (inches)	9.5 $\pm 0.2$ 0.374 $\pm 0.008$
Width	(mm) (inches)	69.85 $\pm 0.25$ 2.750 $\pm 0.010$
Length	(mm) (inches)	100.2 $\pm 0.25$ 3.945 $\pm 0.010$
Typical weight	(grams) (pounds)	100 0.22

## 2.7 Seek time

Seek measurements are taken with nominal power at 25°C ambient temperature. All times are measured using drive diagnostics. The specifications below are defined as follows:

- Track-to-track seek time is an average of all possible single-track seeks in both directions.
- Average seek time is a true statistical random average of at least 5,000 measurements of seeks between random tracks, less overhead.

Typical seek times (msec)*	Read	Write
Track-to-track	1.0	1.5
Average	12.5	14.5
Full-stroke	22.0	24.0
Average latency	5.56	5.56

\*Measured in performance mode

**Note.** These drives are designed to consistently meet the seek times represented in this manual. Physical seeks, regardless of mode (such as track-to-track and average), are expected to meet or exceed the noted values. However, due to the manner in which these drives are formatted, benchmark tests that include command overhead or measure logical seeks may produce results that vary from these specifications.

## 2.8 Time to ready

Time to ready	Typical	Max
Power-on to Ready (sec)	3.5	8.0
Standby to Ready (sec)	3.0	8.0

## 2.9 Power specifications

The drive receives DC power (+5V) through the interface connector.

### 2.9.1 Power consumption

Power requirements for the drives are listed in the table on page 8. Typical power measurements are based on an average of drives tested, under nominal conditions, using 5.0V input voltage at 25°C ambient temperature.

- **Spinup power**

Spinup power is measured from the time of power-on to the time that the drive spindle reaches operating speed.

- **Seek mode**

During seek mode, the read/write actuator arm moves toward a specific position on the disc surface and does not execute a read or write operation. Servo electronics are active. Seek mode power is measured based on three random seek operations every 100 msec. This mode is not typical.

- **Read/write power and current**

Read/write power is measured with the heads on track, based on three 63 sector read or write operations every 100 msec.

- **Idle mode power\***

Idle mode power is measured with the drive up to speed, with servo electronics active and with the heads in a random track location.

- **Standby mode**

During Standby mode, the drive accepts commands, but the drive is not spinning, and the servo and read/write electronics are in power-down mode.

**Table 2: DC power**

Power dissipation	+5V average (watts, 25° C)
Spinup (typical)	1.00 amps
Idle, performance mode*	1.85
Idle, active*	0.99
Idle, low power mode*	0.85
Seeking	2.3
Read	2.05
Write	2.1
Standby	0.20
Sleep	0.20

\*During periods of drive idle, some offline activity may occur according to the S.M.A.R.T. specification, which may increase acoustic and power to operational levels.

### 2.9.1.1 Typical current profile

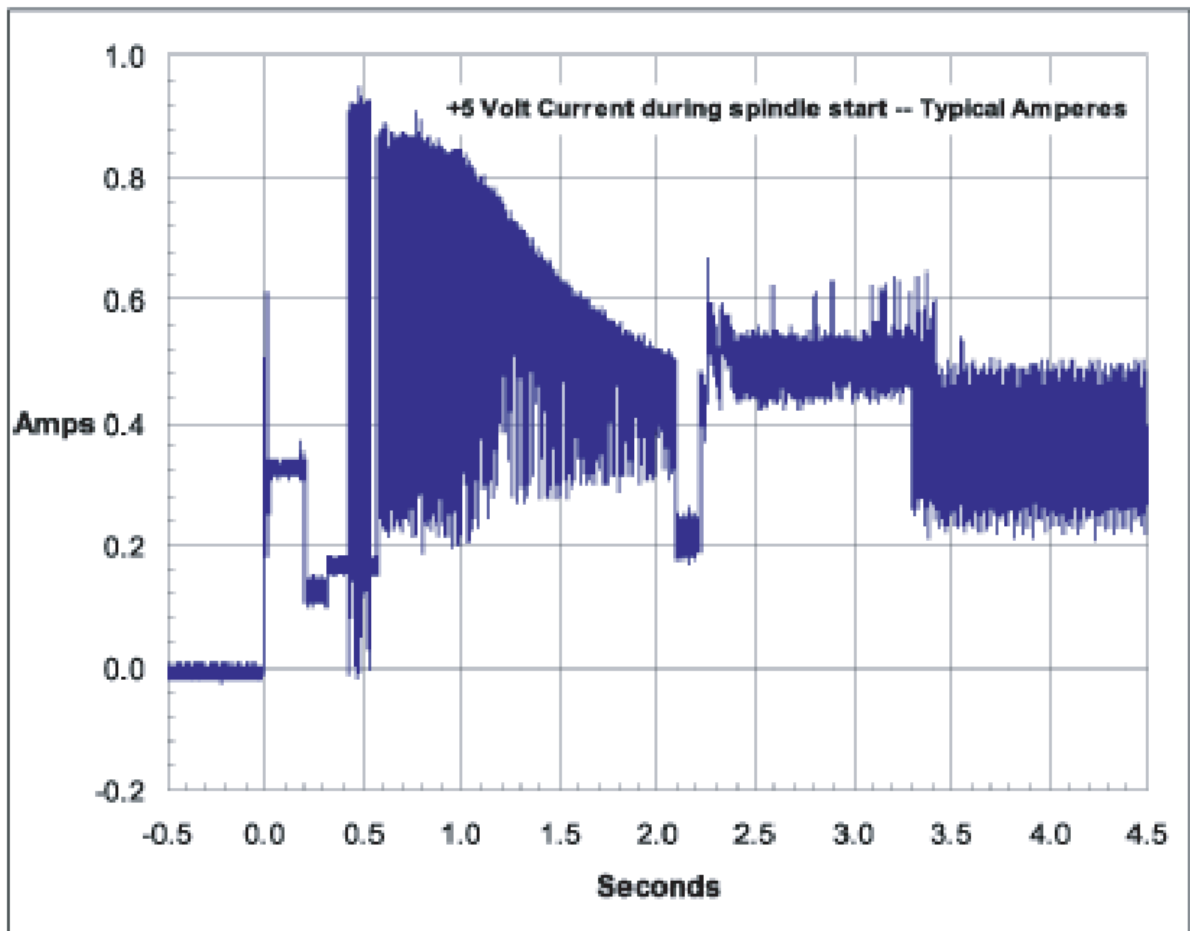


Figure 2. Typical 5V startup and operation current profile

### 2.9.2 Conducted noise

Input noise ripple is measured at the host system power supply across an equivalent 15-ohm resistive load on the +5 volt line.

Using 5-volt power, the drive is expected to operate with a maximum of 100 mV peak-to-peak square-wave injected noise at up to 10 MHz.

**Note.** Equivalent resistance is calculated by dividing the nominal voltage by the typical RMS read/write current.

### 2.9.3 Voltage tolerance

Voltage tolerance (including noise):

5V  $\pm$  5%

## 2.10 Environmental specifications

### 2.10.1 Ambient temperature

Ambient temperature is defined as the temperature of the environment immediately surrounding the drive. Actual drive case temperature should not exceed 40°C (104°F) within the operating ambient conditions.

Above 1,000 feet (305 meters), the maximum temperature is derated linearly by 1°C every 1000 feet.

Operating	5° to 40°C (41° to 104°F)
Nonoperating	–40° to 70°C (–40° to 158°F)

### 2.10.2 Temperature gradient

Operating	20°C per hour (68°F per hour max), without condensation
Nonoperating	30°C per hour (86°F per hour max)

### 2.10.3 Humidity

#### 2.10.3.1 Relative humidity

Operating	5% to 90% noncondensing (30% per hour max)
Nonoperating	5% to 95% noncondensing (30% per hour max)

#### 2.10.3.2 Wet bulb temperature

Operating	30°C (86°F max)
Nonoperating	40°C (104°F max)

### 2.10.4 Altitude

Operating	–304.8 m to 3,048 m (–1,000 ft to 10,000 ft)
Nonoperating	–304.8 m to 12,192 m (–1,000 ft to 40,000 ft)



## 2.10.5 Shock

All shock specifications assume that the drive is mounted securely with the input shock applied at the drive mounting screws. Shock may be applied in the X, Y or Z axis.

### 2.10.5.1 Operating shock

These drives comply with the performance levels specified in this document when subjected to a maximum operating shock of 250 Gs based on half-sine shock pulses of 2 msec. Shocks should not be repeated more than two times per second.

### 2.10.5.2 Nonoperating shock

The nonoperating shock level that the drive can experience without incurring physical damage or degradation in performance when subsequently put into operation is 800 Gs based on a nonrepetitive half-sine shock pulse of 2 msec duration.

The nonoperating shock level that the drive can experience without incurring physical damage or degradation in performance when subsequently put into operation is 900 Gs based on a nonrepetitive half-sine shock pulse of 1 msec duration.

The nonoperating shock level that the drive can experience without incurring physical damage or degradation in performance when subsequently put into operation is 400 Gs based on a nonrepetitive half-sine shock pulse of 0.5 msec duration.

## 2.10.6 Vibration

All vibration specifications assume that the drive is mounted securely with the input vibration applied at the drive mounting screws. Vibration may be applied in the X, Y or Z axis.

### 2.10.6.1 Operating vibration

The following table lists the maximum vibration levels that the drive may experience while meeting the performance standards specified in this document.

---

5–500 Hz	1.0 Gs (0 to peak). Max displacement may apply below 10 Hz.
----------	---

---

### 2.10.6.2 Nonoperating vibration

The following table lists the maximum nonoperating vibration that the drive may experience without incurring physical damage or degradation in performance when subsequently put into operation.

---

10–500 Hz	5.0 Gs (0 to peak). Max displacement may apply below 22 Hz.
-----------	---

---

## 2.11 Acoustics

Drive acoustics are measured as overall A-weighted acoustic sound power levels (no pure tones). All measurements are consistent with ISO document 7779. Sound power measurements are taken under essentially free-field conditions over a reflecting plane. For all tests, the drive is oriented with the cover facing upward.

**Note.** For seek mode tests, the drive is placed in seek mode only. The number of seeks per second is defined by the following equation:

$$(\text{Number of seeks per second} = 0.4 / (\text{average latency} + \text{average access time}))$$

**Table 3: Drive level acoustics**

Acoustic mode		
Idle*	Quiet Seek	Performance Seek
2.4 bels (typ) 2.6 bels (max)	2.6 bels (typ) 2.8 bels (max)	2.9 bels (typ) 3.1 bels (max)

\*During periods of drive idle, some offline activity may occur according to the S.M.A.R.T. specification, which may increase acoustic and power to operational levels.

## 2.12 Electromagnetic immunity

When properly installed in a representative host system, the drive operates without errors or degradation in performance when subjected to the radio frequency (RF) environments defined in the following table:

**Table 4: Electromagnetic immunity**

Test	Description	Performance level	Reference standard
Electrostatic discharge	Contact, HCP, VCP: ± 4 kV; Air: ± 8 kV	B	EN 61000-4-2: 95
Radiated RF immunity	80 to 2,000 MHz, 10 V/m, 80% AM with 1 kHz sine 900 MHz, 3 V/m, 50% pulse modulation @ 200 Hz	A	EN 61000-4-3: 96 ENV 50204: 95
Electrical fast transient	± 1 kV on AC mains, ± 0.5 kV on external I/O	B	EN 61000-4-4: 95
Surge immunity	± 1 kV differential, ± 2 kV common, AC mains	B	EN 61000-4-5: 95
Conducted RF immunity	150 kHz to 80 MHz, 3 Vrms, 80% AM with 1 kHz sine	A	EN 61000-4-6: 97
Power Frequency H-field immunity	1 A/m, 50Hz/60Hz, 3 axes	A	EN 61000-4-8: 97
Voltage dips, interrupts	30% Reduction for 25 cycles >95% Reduction for 250 cycles >95%, 0.5 cycles	C C B	EN 61000-4-11: 94

A - 1) No upset or degradation in performance beyond manufacturer's specified limits.  
2) No data loss.

B - 1) Unit self recovers without user intervention.  
2) No data loss.

C - 1) Upset OK provided that unit will function after user intervention.

## 2.13 Reliability

Measurement type	Specification
Nonrecoverable read errors	1 per 10 <sup>14</sup> bits read, max.
Mean time between failures (MTBF)	500,000 hours at 25°C ambient temperature 8,760 Power On Hours/year at nominal power. Max case temperature: 40°C at the case measurement location shown in Figure 4.
Load/Unload (U/UL)	
25°C, 50% relative humidity	600,000 software-controlled power on/off cycles 20,000 hard power on/off cycles
32°C, 80% relative humidity 5°C, 80% relative humidity 5°C, 10% relative humidity 55°C, 16% relative humidity	600,000 software-controlled power on/off cycles 20,000 hard power on/off cycles
Service Life	5 Years
Warranty	5 Years

## 2.14 Agency certification

### 2.14.1 Safety certification

The drives are recognized in accordance with UL 1950 and CSA C22.2 (950) and meet all applicable sections of IEC950 and EN 60950 as tested by TUV North America.

### 2.14.2 Electromagnetic compatibility

Hard drives that display the CE mark comply with the European Union (EU) requirements specified in the Electromagnetic Compatibility Directive (89/336/EEC). Testing is performed to the levels specified by the product standards for Information Technology Equipment (ITE). Emission levels are defined by EN 55022, Class B and the immunity levels are defined by EN 55024.

Seagate uses an independent laboratory to confirm compliance with the EC directives specified in the previous paragraph. Drives are tested in representative end-user systems. Although CE-marked Seagate drives comply with the directives when used in the test systems, we cannot guarantee that all systems will comply with the directives. The drive is designed for operation inside a properly designed enclosure, with properly shielded I/O cable (if necessary) and terminators on all unused I/O ports. Computer manufacturers and system integrators should confirm EMC compliance and provide CE marking for their products.

## Korean RRL

If these drives have the Korea Ministry of Information and Communication (MIC) logo, they comply with paragraph 1 of Article 11 of the Electromagnetic Compatibility control Regulation and meet the Electromagnetic Compatibility (EMC) Framework requirements of the Radio Research Laboratory (RRL) Ministry of Information and Communication Republic of Korea.

These drives have been tested and comply with the Electromagnetic Interference/Electromagnetic Susceptibility (EMI/EMS) for Class B products. Drives are tested in a representative, end-user system by a Korean-recognized lab.

- EUT name (model numbers): ST9100823AB, ST9808211AB, ST960822AB, and ST9408114AB.
- Certificate numbers:

ST9100823AB	E-D011-04-3510(B)
ST9808211AB	E-D011-04-3506(B)
ST960822AB	E-D011-04-3503(B)
ST9408114AB	E-D011-04-3502(B)
- Trade name or applicant: Seagate Technology International
- Manufacturing date: February 2005
- Manufacturer/nationality: Seagate Technology International

## Australian C-Tick (N176)

If these models have the C-Tick marking, they comply with the Australia/New Zealand Standard AS/NZS3548 1995 and meet the Electromagnetic Compatibility (EMC) Framework requirements of the Australian Communication Authority (ACA).

### 2.14.3 FCC verification

These drives are intended to be contained solely within a personal computer or similar enclosure (not attached as an external device). As such, each drive is considered to be a subassembly even when it is individually marketed to the customer. As a subassembly, no Federal Communications Commission verification or certification of the device is required.

Seagate Technology LLC has tested this device in enclosures as described above to ensure that the total assembly (enclosure, disc drive, motherboard, power supply, etc.) does comply with the limits for a Class B computing device, pursuant to Subpart J, Part 15 of the FCC rules. Operation with noncertified assemblies is likely to result in interference to radio and television reception.

**Radio and television interference.** This equipment generates and uses radio frequency energy and if not installed and used in strict accordance with the manufacturer's instructions, may cause interference to radio and television reception.

This equipment is designed to provide reasonable protection against such interference in a residential installation. However, there is no guarantee that interference will not occur in a particular installation. If this equipment does cause interference to radio or television, which can be determined by turning the equipment on and off, you are encouraged to try one or more of the following corrective measures:

- Reorient the receiving antenna.
- Move the device to one side or the other of the radio or TV.
- Move the device farther away from the radio or TV.
- Plug the computer into a different outlet so that the receiver and computer are on different branch outlets.

If necessary, you should consult your dealer or an experienced radio/television technician for additional suggestions. You may find helpful the following booklet prepared by the Federal Communications Commission: *How to Identify and Resolve Radio-Television Interference Problems*. This booklet is available from the Superintendent of Documents, U.S. Government Printing Office, Washington, DC 20402. Refer to publication number 004-000-00345-4.

## **2.15 Environmental protection**

Seagate designs its products to meet environmental protection requirements worldwide, including regulations restricting certain chemical substances.

### **European Union Restriction of Hazardous Substances (RoHS)**

The European Union Restriction of Hazardous Substances (RoHS) Directive restricts the presence of chemical substances, including Lead (Pb), in electronic products effective July 2006.

A number of parts and materials in Seagate products are procured from external suppliers. We rely on the representations of our suppliers regarding the presence of RoHS substances in these parts and materials. Our supplier contracts require compliance with our chemical substance restrictions, and our suppliers document their compliance with our requirements by providing material content declarations for all parts and materials for the disc drives documented in this publication. Current supplier declarations include disclosure of the inclusion of any RoHS-regulated substance in such parts or materials.

Seagate also has internal systems in place to ensure ongoing compliance with the RoHS Directive and all laws and regulations which restrict chemical content in electronic products. These systems include standard operating procedures that ensure that restricted substances are not utilized in our manufacturing operations, laboratory analytical validation testing, and an internal auditing process to ensure that all standard operating procedures are complied with.

## **2.16 Corrosive environment**

Seagate electronic drive components pass accelerated corrosion testing equivalent to 10 years exposure to light industrial environments containing sulfurous gases, chlorine and nitric oxide, classes G and H per ASTM B845. However, this accelerated testing cannot duplicate every potential application environment.

Users should use caution exposing any electronic components to uncontrolled chemical pollutants and corrosive chemicals as electronic drive component reliability can be affected by the installation environment. The silver, copper, nickel and gold films used in Seagate products are especially sensitive to the presence of sulfide, chloride, and nitrate contaminants. Sulfur is found to be the most damaging. In addition, electronic components should never be exposed to condensing water on the surface of the printed circuit board assembly (PCBA) or exposed to an ambient relative humidity greater than 95%. Materials used in cabinet fabrication, such as vulcanized rubber, that can outgas corrosive compounds should be minimized or eliminated. The useful life of any electronic equipment may be extended by replacing materials near circuitry with sulfide-free alternatives.



## 3.0 Configuring and mounting the drive

---

This section contains the specifications and instructions for configuring and mounting the drive.

### 3.1 Handling and static discharge precautions

After unpacking, and before installation, the drive may be exposed to potential handling and electrostatic discharge (ESD) hazards. Observe the following standard handling and static-discharge precautions:

**Caution:**

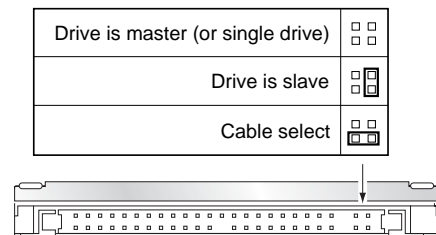
- Keep the drive in the electrostatic discharge (ESD) bag until you are ready for installation to limit the drive's exposure to ESD.
- Before handling the drive, put on a grounded wrist strap, or ground yourself frequently by touching the metal chassis of a computer that is plugged into a grounded outlet. Wear a grounded wrist strap throughout the entire installation procedure.
- Handle the drive only by its edges or frame.
- The drive is fragile—handle it with care. Do not press down on the drive top cover.
- Always rest the drive on a padded, antistatic surface until you mount it in the computer.
- Do not touch the connector pins or the printed circuit board.
- Do not remove the factory-installed labels from the drive or cover them with additional labels. Removal voids the warranty. Some factory-installed labels contain information needed to service the drive. Other labels are used to seal out dirt and contamination.

### 3.2 Jumper settings

#### 3.2.1 Master/slave configuration

Use the options jumper block shown in Figure 3 to configure the drive for operation. This jumper block is the 4-pin header adjacent to pins 1 and 2 of the I/O signal pins. For additional information about using the Cable select option, see Section 3.2.2.

The “Master or single drive” option is the factory default setting.



**Figure 3. Jumper settings**

### 3.2.2 Cable-select option

Computers that use cable select determine the master and slave drives by selecting or deselecting pin 28, CSEL, on the interface bus. Master and slave drives are determined by their physical position on the cable. To enable cable select, set a jumper as shown in Figure 3. Refer to your computer manual to determine whether your computer supports this option.

### 3.3 Drive mounting

You can mount the drive using four screws in the side-mounting holes or four screws in the bottom-mounting holes. See Figure 4 for drive mounting dimensions (dimensions in inches with mm in parentheses). Follow these important mounting precautions when mounting the drive:

- Allow a minimum clearance of 0.030 inches (0.76 mm) around the entire perimeter of the drive for cooling.
- Use only M3 x 0.5 mounting screws.
- Do not overtighten the mounting screws (maximum torque: 4.0 inch-lb).
- Four (4) threads (0.080 inches) minimum screw engagement recommended.

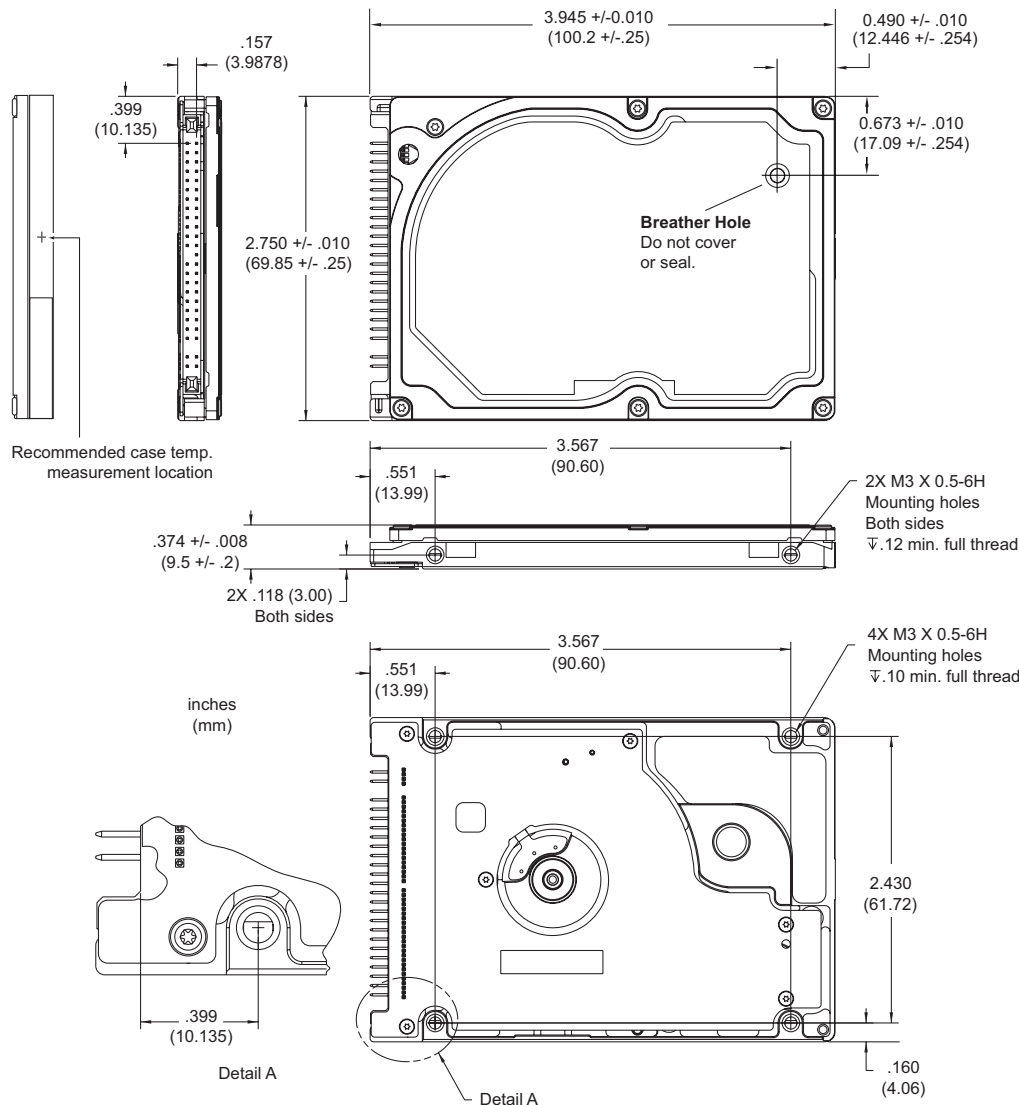


Figure 4. Mounting dimensions—top, side and end view



## 4.0 ATA interface

These drives use the industry-standard ATA task file interface that supports 16-bit data transfers. It supports ATA programmed input/output (PIO) modes 0–4; multiword DMA modes 0–2, and Ultra DMA modes 0–5. The drive also supports the use of the IORDY signal to provide reliable high-speed data transfers.

For detailed information about the ATA interface, refer to the draft of *AT Attachment with Packet Interface Extension (ATA/ATAPI-6)*, *NCITS T13 1410D*, subsequently referred to as the *Draft ATA-6 Standard*.

### 4.1 ATA interface signals and connector pins

The following table summarizes the signals on the 44-pin ATA interface connector. For a detailed description of these signals, refer to the *Draft ATA-6 Standard*.

**Table 5: Connector signals**

Signal Name	Connector Contact	Cable Conductor
RESET-	1	1
DD7	3	3
DD6	5	5
DD5	7	7
DD4	9	9
DD3	11	11
DD2	13	13
DD1	15	15
DD0	17	17
Ground	19	19
DMARQ	21	21
DIOW-	23	23
DIOR-	25	25
IORDY	27	27
DMACK-	29	29
INTRQ	31	31
DA1	33	33
DA0	35	35
CS1FX-	37	37
DASP-	39	39
+5 V (Logic)	41	41
Ground (Return)	43	43

Cable Conductor	Connector Contact	Signal Name
2	2	Ground
4	4	DD8
6	6	DD9
8	8	DD10
10	10	DD11
12	12	DD12
14	14	DD13
16	16	DD14
18	18	DD15
20	20	(keypin)
22	22	Ground
24	24	Ground
26	26	Ground
28	28	PSYNC:CSEL
30	30	Ground
32	32	IOCS16-
34	34	PDIAG-
36	36	DA2
38	38	CS3FX-
40	40	Ground
42	42	+5V (Motor)
44	44	No connection

#### 4.1.1 Supported ATA commands

The following table lists ATA-standard commands that the drive supports. For a detailed description of the ATA commands, refer to the *Draft ATA-6 Standard*...

**Table 6: Supported commands**

Command name	Command code (in hex)
<b>ATA-standard commands</b>	
ATA Device Configuration Overlay	B1 <sub>H</sub>
ATA Service	A2 <sub>H</sub>
Check Power Mode	98 <sub>H</sub> , E5 <sub>H</sub>
Download Microcode	92 <sub>H</sub>
Execute Device Diagnostics	90 <sub>H</sub>
Flush Cache	E7 <sub>H</sub>
Flush Cache Extended	EA <sub>H</sub>
Format Track (Legacy)	50 <sub>H</sub>
Identify Device	EC <sub>H</sub>
Idle	97 <sub>H</sub> , E3 <sub>H</sub>
Idle Immediate	95 <sub>H</sub> , E1 <sub>H</sub>
Initialize Device Parameters	91 <sub>H</sub>
Read Buffer	E4 <sub>H</sub>
Read DMA	C8 <sub>H</sub> , C9 <sub>H</sub>
Read DMA Extended	25 <sub>H</sub>
Read Log Extended	22 <sub>H</sub>
Read Multiple	C4 <sub>H</sub>
Read Multiple Extended	29 <sub>H</sub>
Read Native Max Address	F8 <sub>H</sub>
Read Native Max Address Extended	27 <sub>H</sub>
Read Sectors	20 <sub>H</sub> , 21 <sub>H</sub>
Read Sectors Extended	24 <sub>H</sub>
Read Verify Sectors	40 <sub>H</sub> , 41 <sub>H</sub>
Read Verify Sectors Extended	42 <sub>H</sub>
Recalibrate	10 <sub>H</sub>
Security Disable Password	F6 <sub>H</sub>
Security Erase Prepare	F3 <sub>H</sub>
Security Erase Unit	F4 <sub>H</sub>
Security Freeze Lock	F5 <sub>H</sub>
Security Set Password	F1 <sub>H</sub>

**Table 6: Supported commands**

Command name	Command code (in hex)
Security Unlock	F2 <sub>H</sub>
Seek	70 <sub>H</sub>
Set Drive Parameters	91 <sub>H</sub>
Set Features	EF <sub>H</sub>
Set Max Address	F9 <sub>H</sub>
Note: Individual Set Max commands are identified by the value placed in the Set Max Features register as defined to the right.	Address 00 <sub>H</sub> Password 01 <sub>H</sub> Lock 02 <sub>H</sub> Unlock 03 <sub>H</sub> Freeze Lock 04 <sub>H</sub>
Set Multiple Mode	C6 <sub>H</sub>
Sleep	99 <sub>H</sub> , E6 <sub>H</sub>
S.M.A.R.T.	B0 <sub>H</sub>
Standby	96 <sub>H</sub> , E2 <sub>H</sub>
Standby Immediate	94 <sub>H</sub> , E0 <sub>H</sub>
Vendor Unique	9A <sub>H</sub> , FA <sub>H</sub> , FB <sub>H</sub>
Write Buffer	E8 <sub>H</sub>
Write DMA	CA <sub>H</sub> , CB <sub>H</sub>
Write DMA Extended	35 <sub>H</sub>
Write Log Extended	32 <sub>H</sub>
Write Multiple	C5 <sub>H</sub>
Write Multiple Extended	39 <sub>H</sub>
Write Sectors	30 <sub>H</sub> , 31 <sub>H</sub>
Write Sectors Extended	34 <sub>H</sub>
<b>ATA-standard power-management commands</b>	
Check Power Mode	98 <sub>H</sub> or E5 <sub>H</sub>
Idle	97 <sub>H</sub> or E3 <sub>H</sub>
Idle Immediate	95 <sub>H</sub> or E1 <sub>H</sub>
Sleep	99 <sub>H</sub> or E6 <sub>H</sub>
Standby	96 <sub>H</sub> or E2 <sub>H</sub>
Standby Immediate	94 <sub>H</sub> or E0 <sub>H</sub>
<b>ATA-standard security commands</b>	
Security Set Password	F1 <sub>H</sub>
Security Unlock	F2 <sub>H</sub>
Security Erase Prepare	F3 <sub>H</sub>
Security Erase Unit	F4 <sub>H</sub>

**Table 6: Supported commands**

<b>Command name</b>	<b>Command code (in hex)</b>
Security Freeze Lock	F5 <sub>H</sub>
Security Disable Password	F6 <sub>H</sub>

#### 4.1.2 Identify Device command

The Identify Device command (command code EC<sub>H</sub>) transfers information about the drive to the host following power up. The data is organized as a single 512-byte block of data, whose contents are shown in Table 6 on page 20. All reserved bits or words should be set to zero. Parameters listed with an “x” are drive-specific or vary with the state of the drive. See Section 2.0 on page 3 for default parameter settings.

The following commands contain drive-specific features that may not be included in the *Draft ATA-6 Standard*.

Word	Description	Value
0	Configuration information: <ul style="list-style-type: none"> <li>• Bit 15: 0 = ATA; 1 = ATAPI</li> <li>• Bit 7: removable media</li> <li>• Bit 6: removable controller</li> <li>• Bit 0: reserved</li> </ul>	0C5A <sub>H</sub>
1	Number of logical cylinders	16,383
2	ATA-reserved	0000 <sub>H</sub>
3	Number of logical heads	16
4	Retired	0000 <sub>H</sub>
5	Retired	0000 <sub>H</sub>
6	Number of logical sectors per logical track: 63	003F <sub>H</sub>
7–9	Retired	0000 <sub>H</sub>
10–19	Serial number: (20 ASCII characters, 0000 <sub>H</sub> = none)	ASCII
20	Retired	0000 <sub>H</sub>
21	Retired	0400 <sub>H</sub>
22	Obsolete	0000 <sub>H</sub>
23–26	Firmware revision (8 ASCII character string, padded with blanks to end of string)	x.xx
27–46	Drive model number (40 ASCII characters, padded with blanks to end of string)	ST9100823AB ST9808211AB ST960822AB ST9408114AB
47	(Bits 7–0) Maximum sectors per interrupt on Read multiple and Write multiple (16)	8010 <sub>H</sub>
48	Reserved	0000 <sub>H</sub>
49	Standard Standby timer, IORDY supported and may be disabled	2F00 <sub>H</sub>
50	ATA-reserved	0000 <sub>H</sub>
51	PIO data-transfer cycle timing mode	0200 <sub>H</sub>
52	Retired	0200 <sub>H</sub>
53	Words 54–58, 64–70 and 88 are valid	0007 <sub>H</sub>
54	Number of current logical cylinders	xxxx <sub>H</sub>
55	Number of current logical heads	xxxx <sub>H</sub>
56	Number of current logical sectors per logical track	xxxx <sub>H</sub>
57–58	Current capacity in sectors	xxxx <sub>H</sub>

Word	Description	Value
59	Number of sectors transferred during a Read Multiple or Write Multiple command	xxxx <sub>H</sub>
60–61	Total number of user-addressable LBA sectors available (see Section 2.2 for related information)	ST9100823AB = 195,371,568 ST9808211AB = 156,301,488 ST960822AB = 117,210,240 ST9408114AB = 78,140,160
62	Retired	0000 <sub>H</sub>
63	Multiword DMA active and modes supported (see note following this table)	xx07 <sub>H</sub>
64	Advanced PIO modes supported (modes 3 and 4 supported)	0003 <sub>H</sub>
65	Minimum multiword DMA transfer cycle time per word (120 nsec)	0078 <sub>H</sub>
66	Recommended multiword DMA transfer cycle time per word (120 nsec)	0078 <sub>H</sub>
67	Minimum PIO cycle time without IORDY flow control (240 nsec)	00F0 <sub>H</sub>
68	Minimum PIO cycle time with IORDY flow control (120 nsec)	0078 <sub>H</sub>
69–74	ATA-reserved	0000 <sub>H</sub>
75	Queue depth	0000 <sub>H</sub>
76–79	ATA-reserved	0000 <sub>H</sub>
80	Major version number	007E <sub>H</sub>
81	Minor version number	0000 <sub>H</sub>
82	Command sets supported	346B <sub>H</sub>
83	Command sets supported	7D01 <sub>H</sub>
84	Command sets support extension	4003 <sub>H</sub>
85	Command sets enabled	34xx <sub>H</sub>
86	Command sets enabled	3xxx <sub>H</sub>
87	Command sets enable extension	4003 <sub>H</sub>
88	Ultra DMA support and current mode (see note following this table)	xx3F <sub>H</sub>
89	Security erase time	0000 <sub>H</sub>
90	Enhanced security erase time	0000 <sub>H</sub>
91	Advanced power management value	0040 <sub>H</sub>
92	Master password revision code	FFFE <sub>H</sub>
93	Hardware reset value (see description following this table)	xxxx <sub>H</sub>
94	Auto acoustic management setting	xxxx <sub>H</sub>
95–127	ATA-reserved	0000 <sub>H</sub>
128	Security status	0001 <sub>H</sub>
129–159	Seagate-reserved	xxxx <sub>H</sub>
160–254	ATA-reserved	0000 <sub>H</sub>

Word	Description	Value
255	Integrity word	xxA5 <sub>H</sub>

**Note.** See the bit descriptions below for words 63, 88, 93 and 94 of the Identify Drive data.

**Description (if bit is set to 1)**

Bit	Word 63
0	Multiword DMA mode 0 is supported.
1	Multiword DMA mode 1 is supported.
2	Multiword DMA mode 2 is supported.
8	Multiword DMA mode 0 is currently active.
9	Multiword DMA mode 1 is currently active.
10	Multiword DMA mode 2 is currently active.
Bit	Word 88
0	Ultra DMA mode 0 is supported.
1	Ultra DMA mode 1 is supported.
2	Ultra DMA mode 2 is supported.
3	Ultra DMA mode 3 is supported.
4	Ultra DMA mode 4 is supported.
8	Ultra DMA mode 0 is currently active.
9	Ultra DMA mode 1 is currently active.
10	Ultra DMA mode 2 is currently active.
11	Ultra DMA mode 3 is currently active.
12	Ultra DMA mode 4 is currently active.
13	Ultra DMA mode 5 is currently active.
Bit	Word 93
13	1 = 80-conductor cable detected, CBLID above V <sub>IH</sub> 0 = 40-conductor cable detected, CBLID below V <sub>IL</sub>

### 4.1.3 Set Features command

This command controls the implementation of various features that the drive supports. When the drive receives this command, it sets BSY, checks the contents of the Features register, clears BSY and generates an interrupt. If the value in the register does not represent a feature that the drive supports, the command is aborted. Power-on default has the read look-ahead and write caching features enabled. The acceptable values for the Features register are defined as follows:

**Table 7: Features register values**

02 <sub>H</sub>	Enable write cache ( <i>default</i> ).	
03 <sub>H</sub>	Set transfer mode (based on value in Sector Count register).	
	Sector Count register values:	
	00 <sub>H</sub>	Set PIO mode to default (PIO mode 2).
	01 <sub>H</sub>	Set PIO mode to default and disable IORDY (PIO mode 2).
	08 <sub>H</sub>	PIO mode 0
	09 <sub>H</sub>	PIO mode 1
	0A <sub>H</sub>	PIO mode 2
	0B <sub>H</sub>	PIO mode 3
	0C <sub>H</sub>	PIO mode 4 ( <i>default</i> )
	20 <sub>H</sub>	Multiword DMA mode 0
	21 <sub>H</sub>	Multiword DMA mode 1
	22 <sub>H</sub>	Multiword DMA mode 2
	40 <sub>H</sub>	Ultra DMA mode 0
	41 <sub>H</sub>	Ultra DMA mode 1
	42 <sub>H</sub>	Ultra DMA mode 2
	43 <sub>H</sub>	Ultra DMA mode 3
	44 <sub>H</sub>	Ultra DMA mode 4
	45 <sub>H</sub>	Ultra DMA mode 5
05 <sub>H</sub>	Enable advanced power management	
55 <sub>H</sub>	Disable read look-ahead (read cache) feature.	
82 <sub>H</sub>	Disable write cache.	
AA <sub>H</sub>	Enable read look-ahead (read cache) feature ( <i>default</i> ).	
F1 <sub>H</sub>	Report full capacity available	

**Note.** At power-on or after a hardware or software reset the default values of the features are as indicated above.



## 5.0 Seagate Technology support services

---

### Internet

For information regarding Seagate products and services, visit [www.seagate.com](http://www.seagate.com). Worldwide support is available 24 hours daily by email for your questions.

### Presales Support:

Presales@Seagate.com

### Technical Support:

DiscSupport@Seagate.com

### Warranty Support:

<http://www.seagate.com/support/service/index.html>

### mySeagate

my.seagate.com is the industry's first Web portal designed specifically for OEMs and distributors. It provides self-service access to critical applications, personalized content and the tools that allow our partners to manage their Seagate account functions. Submit pricing requests, orders and returns through a single, password-protected Web interface-anytime, anywhere in the world.

### spp.seagate.com

spp.seagate.com supports Seagate resellers with product information, program benefits and sales tools. You may register for customized communications that are not available on the web. These communications contain product launch, EOL, pricing, promotions and other channel-related information. To learn more about the benefits or to register, go to spp.seagate.com, any time, from anywhere in the world.

## Seagate Service Centers

### Presales Support

Our Presales Support staff can help you determine which Seagate products are best suited for your specific application or computer system, as well as product availability and compatibility.

### Technical Support

Seagate technical support is available to assist you online at [support.seagate.com](http://support.seagate.com) or through one of our call centers. Have your system configuration information and your "ST" model number available.

**SeaTDD™ (+1-405-324-3655)** is a telecommunications device for the deaf (TDD). You can send questions or comments 24 hours daily and exchange messages with a technical support specialist during normal business hours for the call center in your region.

## Customer Service Operations

### Warranty Service

Seagate offers worldwide customer support for Seagate products. Seagate distributors, OEMs and other direct customers should contact their Seagate Customer Service Operations (CSO) representative for warranty-related issues. Resellers or end users of drive products should contact their place of purchase or Seagate warranty service for assistance. Have your serial number and model or part number available.

### Data Recovery Services

Seagate offers data recovery services for all formats and all brands of storage media. Our data recovery services labs are currently located throughout the world. . Additional information, including an online request form and data loss prevention resources, is available at <http://services.seagate.com/index.aspx>

### Authorized Service Centers

Seagate Service Centers are available on a global basis for the return of defective products. Contact your customer support representative for the location nearest you.

### USA/Canada/Latin America support services

For an extensive list of telephone numbers to technical support, presales and warranty service in USA/Canada/Latin America, including business hours, go to the "Contact Us" page on [www.seagate.com](http://www.seagate.com).

## Global Customer Support

### Presales, Technical, and Warranty Support

Call Center	Toll-free	Direct dial
USA, Canada, and Mexico	1-800-SEAGATE	+1-405-324-4700

### Data Recovery Services

Call Center	Toll-free	Direct dial	FAX
USA, Canada, and Mexico	1-800-475-01435	+1-905-474-2162	1-800-475-0158 +1-905-474-2459

## Europe, the Middle East and Africa Support Services

For an extensive list of telephone numbers to technical support, presales and warranty service in Europe, the Middle East and Africa, go to the "Contact Us" page on [www.seagate.com](http://www.seagate.com).

## Asia/Pacific Support Services

For an extensive list of telephone numbers to technical support, presales and warranty service in Asia/Pacific, go to the "Contact Us" page on [www.seagate.com](http://www.seagate.com).

# Index

## Numerics

3D Defense System 1

## A

acoustics 12  
agency certification (regulatory) 13  
altitude 10  
ambient conditions 3  
ambient temperature 7, 10  
areal density 6  
ATA interface 19  
ATA-standard commands 20  
Australian C-Tick 14  
autodetection 1  
average seek time 7

## B

BPI 6  
buffer 1, 6  
burst 1

## C

cable select 1  
cable-select option 18  
cache 1, 6  
case temperature 10  
CE mark 13  
certification 13  
Check Power Mode 21  
commands 20  
compliance 13  
conducted noise 9  
conducted RF immunity 12  
configuring the drive 17  
connector pins 19  
CSA C22.2 (950) 13  
CSEL 18  
C-Tick 14  
current profile 9  
cycles 13

## D

Data Defense 1  
data-transfer rates 1  
DC power 8  
density 6  
Diagnostic Defense 1  
diagnostic software 1  
discs 5  
dissipation 8

Download Microcode 20  
Drive Defense 1  
drive diagnostics 7  
drive monitoring 1  
drive self-test 1

## E

electrical fast transient 12  
electromagnetic compatibility 13  
Electromagnetic Compatibility Directive 13  
electromagnetic immunity 12  
electrostatic discharge 12  
EMC compliance 13  
EN 60950 13  
enclosures 14  
environmental specifications 10  
error-correction algorithms 1  
errors 13  
European Union 13  
European Union Restriction of Hazardous Substances 15  
Execute Device Diagnostics 20

## F

FCC verification 14  
Features register 26  
Flush Cache 20  
Flush Cache Extended 20  
formatted capacity 5  
frequency 12

## G

guaranteed sectors 5

## H

handling 17  
heads 1, 5  
height 6  
humidity 10

## I

I/O data-transfer rate 6  
Identify Device 20  
Identify Device command 23  
Idle 8, 21  
Idle Immediate 21  
Idle mode power 8  
IEC950 13  
Information Technology Equipment 13  
Initialize Device Parameters 20  
interface 6, 19  
interface signals 19  
interference 14

interleave 6  
internal data-transfer rate OD 6  
ISO document 7779 12

## J

jumper settings 17

## K

Korean RRL 14

## L

LBA mode 5  
length 6  
Load/Unload 13  
logical geometry 5

## M

master/slave 1  
Master/slave configuration 17  
maximum temperature 10  
Mean time between failures 13  
modes 19  
monitoring 1  
mounting the drive 17, 18  
MTBF 13

## N

noise 9  
nominal power 3  
nonoperating shock 11  
nonoperating vibration 11  
nonrecoverable read errors 13

## O

operating shock 11  
operating vibration 11

## P

physical characteristics 6  
physical organization 5  
pins 19  
PIO 19  
power consumption 8  
power dissipation 8  
power frequency h-field immunity 12  
power on/off cycles 13  
power specifications 8  
power-management commands 21  
Power-on to Ready 7  
precautions 18

## R

radiated RF immunity 12  
radio and television interference 14  
radio frequency (RF) 12  
random track location 8  
Read Buffer 20  
Read DMA 20  
Read DMA Extended 20  
read errors 13  
Read Multiple 1, 20  
Read Multiple Extended 20  
Read Native Max Address 20  
Read Native Max Address Extended 20  
Read Sectors 20  
Read Sectors Extended 20  
Read Verify Sectors 20  
Read Verify Sectors Extended 20  
read/write heads 5  
read/write power and current 8  
recording and interface technology 6  
recording density 6  
recording heads 1  
recording method 6  
register 26  
relative humidity 10  
reliability 13  
resistance 9  
RF 12  
RoHS 15

## S

S.M.A.R.T. 21  
S.M.A.R.T. drive monitoring 1  
safety certification 13  
screws 18  
SeaTools 1  
sectors 5  
security commands 21  
Security Disable Password 22  
Security Erase Prepare 21  
Security Erase Unit 21  
Security Freeze Lock 22  
Security Set Password 21  
Security Unlock 21  
Seek 21  
seek mode 8  
seek time 7  
Seeking 8  
Service Life 13  
servo electronics 8  
Set Features 21  
Set Features command 26  
Set Max 21  
Set Multiple Mode 21

- shock 11
- signals 19
- single-track seeks 7
- Sleep 8, 21
- sound 12
- specifications 3
- spindle speed 6
- Spinup 8
- spinup power 8
- Standby 8, 21
- Standby Immediate 21
- Standby mode 8
- Standby to Ready 7
- static-discharge precautions 17
- subassembly 14
- support services 27
- surge immunity 12

## **T**

- technical support services 27
- temperature 10
- temperature gradient 10
- time to ready 7
- TMR 1
- track density 6
- track-to-track seek time 7
- TUV North America 13

## **U**

- UL 1950 13

## **V**

- vibration 11
- voltage 9
- voltage dips, interrupts 12
- voltage tolerance 9

## **W**

- Warranty 13
- weight 6
- wet bulb temperature 10
- width 6
- Write Buffer 21
- Write DMA 21
- Write DMA Extended 21
- Write Multiple 1, 21
- Write Multiple Extended 21
- Write Sectors 21
- Write Sectors Extended 21







**Seagate Technology LLC**  
**920 Disc Drive, Scotts Valley, California 95066-4544, USA**  
*Publication Number: 100367611, Rev. B, Printed in U.S.A.*